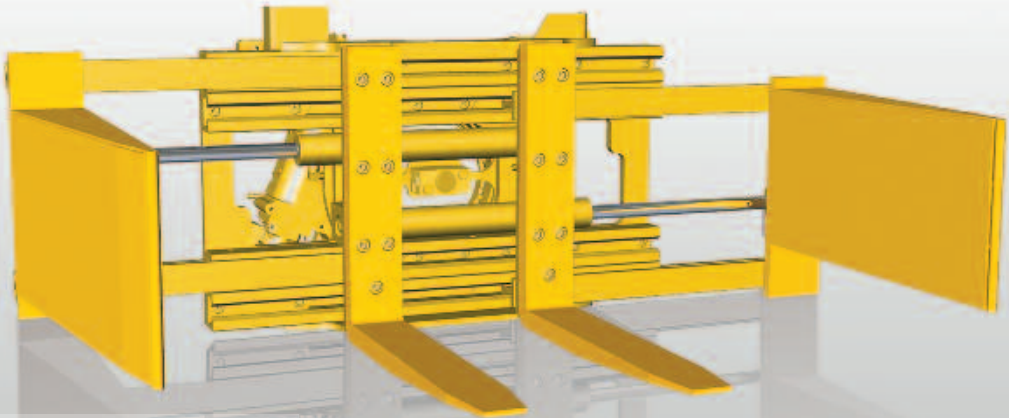


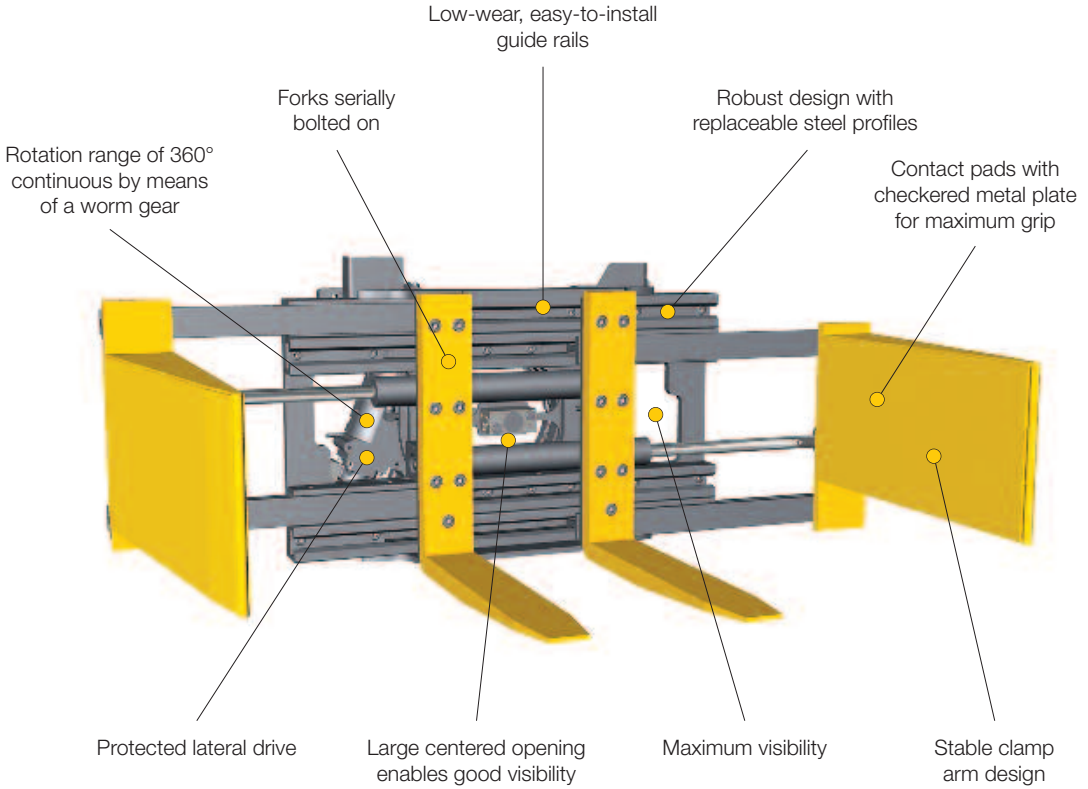
S15

BOX DUMPERS

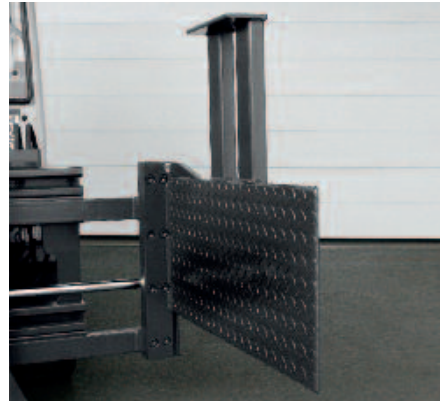
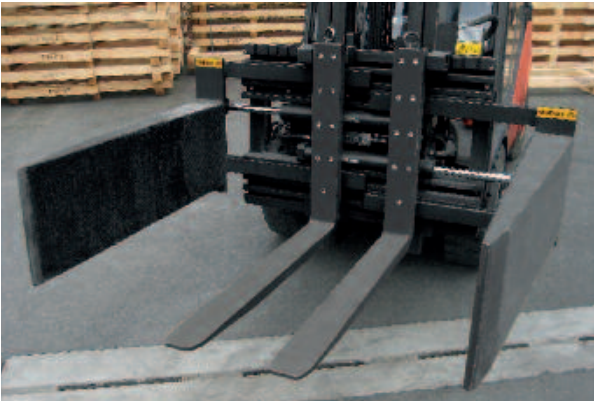
Box dumpers are used for sideward emptying of pallet cages and other bins without pockets. The load is picked up by the forks and also held by the clamp arms during the tilting process. For delicate bins rubber-coated contact pads are available.



Box Dumpers

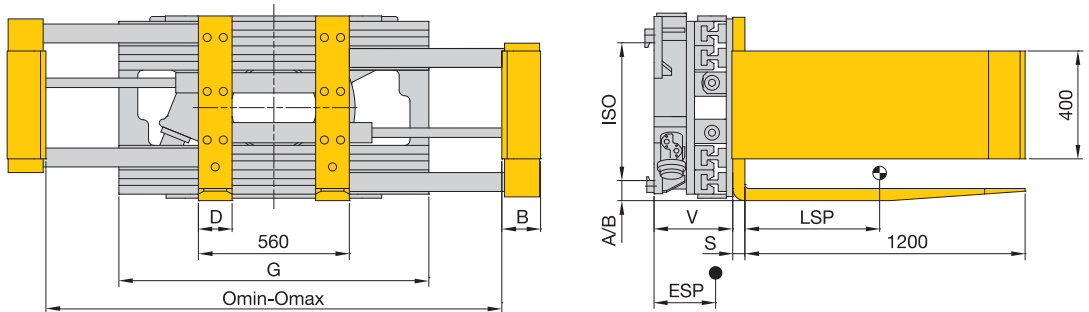


Special Equipment



Box Dumpers, Rotatable

2 hydraulic functions



Forks serially bolted on · Rotation range 360°

Model	Load capacity	LC (LSP)	ISO	Omin-Omax	G	B	D	S	V	CoG (ESP)	Weight	Price	Surcharge per 100 mm add. arm/ fork length
	kg	mm											
S 15 - GBE 15-360°	1500	500	2	700-1700	1050	120	120	40	270	315	815		
S 15 - GBE 20-360°	2000	500	2	700-1700	1050	125	125	45	275	320	840		
S 15 - GBE 25-360°	2500	500	3	700-1700	1150	150	125	45	285	315	965		

- Surcharge for adjustable pressure relief valve
- Surcharge for pressure gauge
- Surcharge for rubber coating on the arms' contact pads
- Different arm coatings on request.
- Version with manually adjustable forks on request.
- Due to a prestress (0,5°) the opening range between the tips is 20 mm smaller (please note in case of deviating arm lengths).

Standard values for residual load capacity of lift trucks**

Box Dumpers, Rotatable	S 15 -	GBE 15-360°	GBE 15-360°	GBE 20-360°	GBE 25-360°	GBE 25-360°
Load capacity lift truck	kg	1500	2000	2500	3000	3500
X*	mm	350	450	450	450	500
LC (LSP) = 400 mm	kg	890	1350	1750	2080	2540
LC (LSP) = 500 mm	kg	820	1240	1610	1910	2340
LC (LSP) = 600 mm	kg	750	1150	1490	1770	2170

** The load capacity applies to lifting heights up to 3300 mm; specifications for greater lifting heights on request.

* Assumed dimensions

