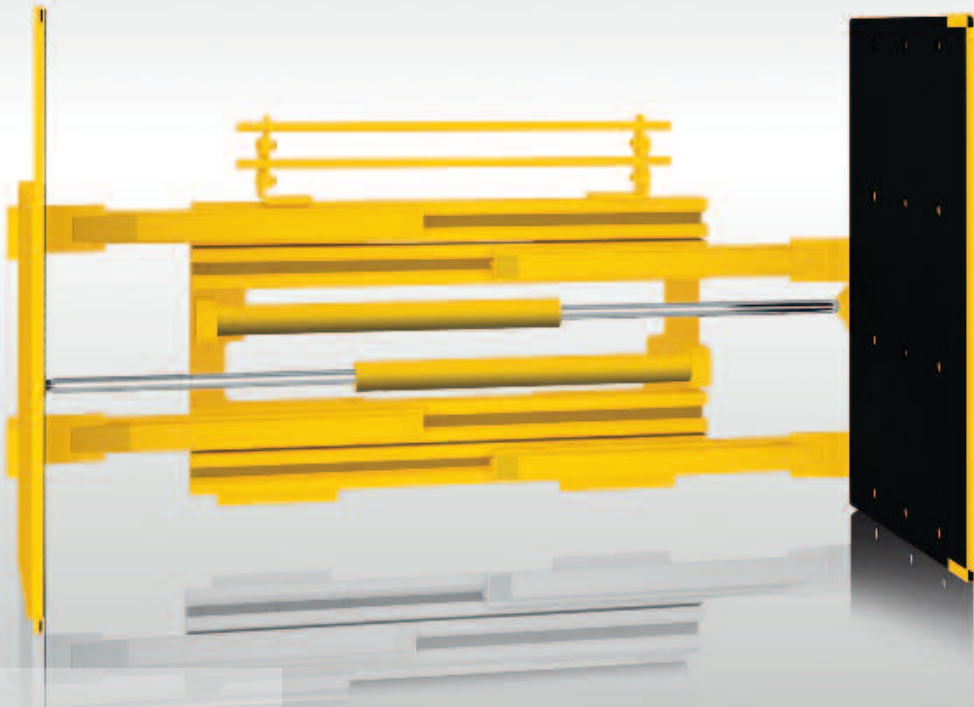


**CARTON CLAMPS
APPLIANCE CLAMPS**

S16

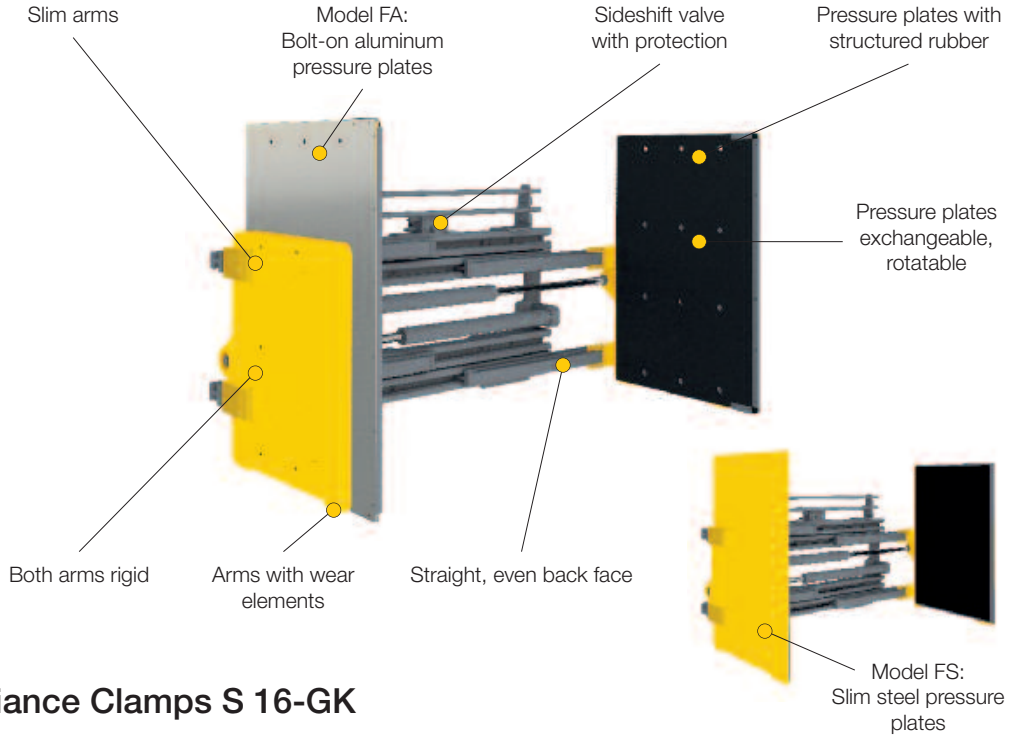
Carton and appliance clamps are used for the palletless handling of pressure-sensitive electrical household appliances and consumer electronic equipment at manufacturing plants and in warehouses.

Depending on the application the arms are rigid, single articulating or double articulating. Interchangeable and rotatable pressure plates ensure uniform wear of the rubber coating. The straight and edge-free front of the attachment body allows damage-free handling of goods. The position of the appliance clamp's pressure plates towards the clamp arm can be adjusted to achieve optimal pressure distribution on the goods.

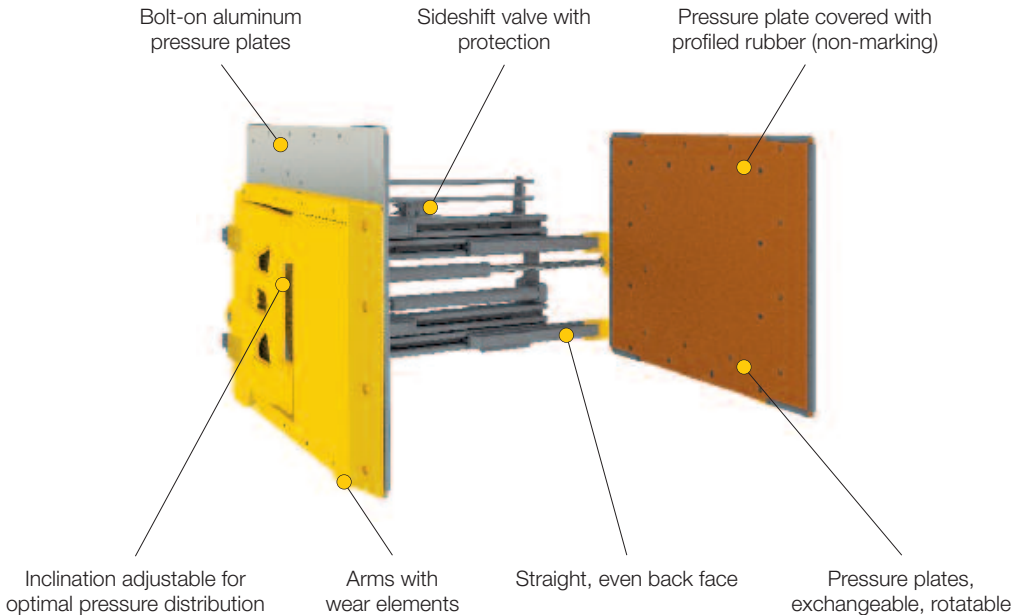


S16

Carton Clamps S 16-KK



Appliance Clamps S 16-GK



S 16-KK FS

Both arms rigid



S 16-KK FA

Both arms rigid



S 16-GK FE

Left arm rigid,
right arm single
articulating



S 16-GK EE

Both arms single
articulating



S 16-GK ED

Left arm single
articulating, right arm
double articulating with
split pressure plate



All appliance and carton clamps have a level and long back face.



Edge protection strips on the corners of all contact plates.



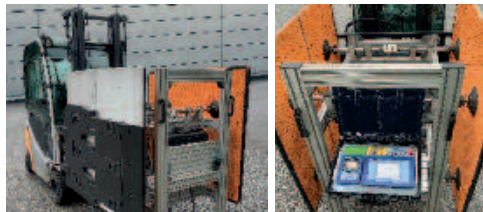
Wear elements on all attachment and arm designs.



All serial attachments have visibility-optimized hose and valve protection.



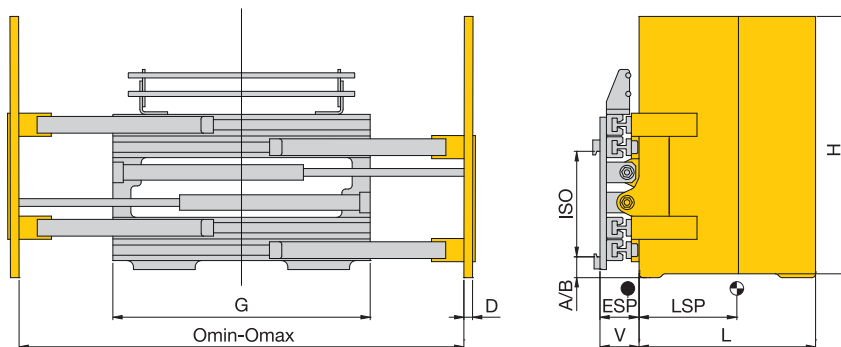
High-quality rubber coating on contact plates.



Measuring instrument for setting and checking the clamping force and force distribution.

Carton Clamps with Sideshift Valve

2 hydraulic functions



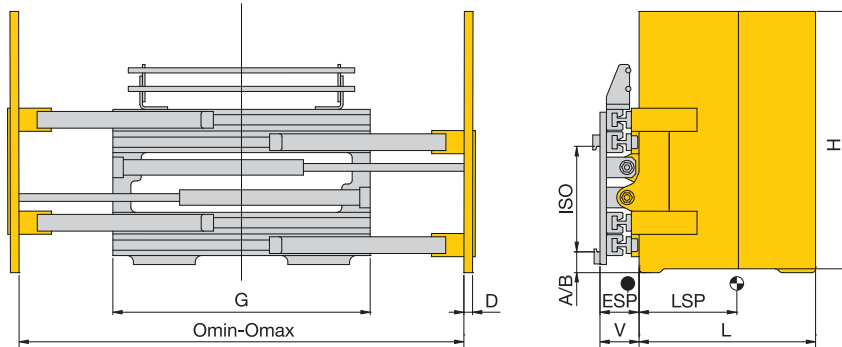
Both arms rigid · Steel pressure plates welded on

Model	Load capacity	LC (LSP)	ISO	Omin-Omax	G	L	H	D	V	CoG (ESP)	Weight	Price
	kg	mm		mm	mm	mm	mm	mm	mm	mm	kg	
S 16 - KK 08-FS-SV	800	500	2	390-1390	950	690	800	28	147	190	455	
				450-1510	950	690	800	28	147	190	455	
				550-1710	950	690	800	28	147	190	455	
S 16 - KK 08-FS-SV	800	500	2	390-1390	950	690	1000	28	147	220	490	
				450-1510	950	690	1000	28	147	220	490	
				550-1710	950	690	1000	28	147	220	490	
S 16 - KK 08-FS-SV	800	500	2	400-1460	1000	690	800	28	147	190	460	
				440-1540	1000	690	800	28	147	190	460	
				540-1740	1000	690	800	28	147	190	460	
S 16 - KK 08-FS-SV	800	500	2	400-1460	1000	690	1000	28	147	220	495	
				440-1540	1000	690	1000	28	147	220	495	
				540-1740	1000	690	1000	28	147	220	495	
S 16 - KK 08-FS-SV	800	500	2	390-1490	1050	690	800	28	147	190	465	
				450-1610	1050	690	800	28	147	190	465	
				550-1810	1050	690	800	28	147	190	465	
S 16 - KK 08-FS-SV	800	500	2	390-1490	1050	690	1000	28	147	220	500	
				450-1610	1050	690	1000	28	147	220	500	
				550-1810	1050	690	1000	28	147	220	500	
S 16 - KK 08-FS-SV	800	500	2	400-1560	1100	690	800	28	147	185	470	
				440-1640	1100	690	800	28	147	185	470	
				540-1840	1100	690	800	28	147	185	470	
S 16 - KK 08-FS-SV	800	500	2	400-1560	1100	690	1000	28	147	215	505	
				440-1640	1100	690	1000	28	147	215	505	
				540-1840	1100	690	1000	28	147	215	505	

S 16

Carton Clamps with Sideshift Valve

2 hydraulic functions



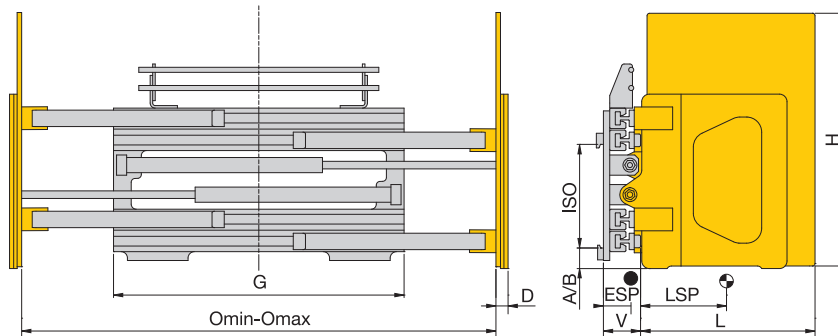
Both arms rigid · Steel pressure plates welded on

Model	Load capacity	LC (LSP)	ISO	Omin-Omax	G	L	H	D	V	CoG (ESP)	Weight	Price
	kg	mm		mm	mm	mm	mm	mm	mm	mm	kg	
S 16 - KK 08-FS-SV	800	500	2	390-1590	1150	690	800	28	147	185	475	
				450-1710	1150	690	800	28	147	185	475	
				540-1890	1150	690	800	28	147	185	475	
S 16 - KK 08-FS-SV	800	500	2	390-1590	1150	690	1000	28	147	215	510	
				450-1710	1150	690	1000	28	147	215	510	
				540-1890	1150	690	1000	28	147	215	510	
S 16 - KK 08-FS-SV	800	500	2	400-1660	1200	690	800	28	147	185	480	
				440-1740	1200	690	800	28	147	185	480	
				540-1940	1200	690	800	28	147	185	480	
S 16 - KK 08-FS-SV	800	500	2	400-1660	1200	690	1000	28	147	215	515	
				440-1740	1200	690	1000	28	147	215	515	
				540-1940	1200	690	1000	28	147	215	515	

- Due to an increased tension towards the front of the arms the opening range between the tips is smaller.
- Surcharge for adjustable pressure relief valve incl. pressure gauge
- Further opening ranges on request.
- Further arm dimensions (H: 1,200 mm) on request.
- Available without sideshift valve.
- Separate sideshift on request.
- For details on sideshift valve see page 9

Carton Clamps with Sideshift Valve

2 hydraulic functions



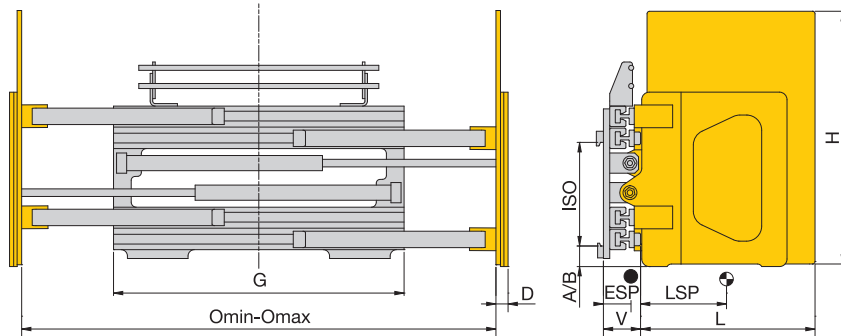
Both arms rigid · Aluminum pressure plates bolted on

Model	Load capacity	LC (LSP)	ISO	Omin-Omax	G	L	H	D	V	CoG (ESP)	Weight	Price
S 16 - KK 08-FA-SV	800	500	2	390-1390	950	690	800	48	147	180	440	
				440-1500	950	690	800	48	147	180	440	
				540-1700	950	690	800	48	147	180	440	
S 16 - KK 08-FA-SV	800	500	2	390-1450	1000	690	800	48	147	180	445	
				440-1540	1000	690	800	48	147	180	445	
				540-1740	1000	690	800	48	147	180	445	
S 16 - KK 08-FA-SV	800	500	2	390-1490	1050	690	800	48	147	175	450	
				440-1600	1050	690	800	48	147	175	450	
				540-1800	1050	690	800	48	147	175	450	
S 16 - KK 08-FA-SV	800	500	2	390-1390	950	1200	1000	48	147	315	545	
				440-1500	950	1200	1000	48	147	315	545	
				540-1700	950	1200	1000	48	147	315	545	
S 16 - KK 08-FA-SV	800	500	2	390-1450	1000	1200	1000	48	147	315	550	
				440-1540	1000	1200	1000	48	147	315	550	
				540-1740	1000	1200	1000	48	147	315	550	
S 16 - KK 08-FA-SV	800	500	2	390-1490	1050	1200	1000	48	147	310	555	
				440-1600	1050	1200	1000	48	147	310	555	
				540-1800	1050	1200	1000	48	147	310	555	
S 16 - KK 15-FA-SV	1500	500	2	390-1490	1050	690	1000	48	147	185	460	
				440-1600	1050	690	1000	48	147	185	460	
				540-1800	1050	690	1000	48	147	185	460	
S 16 - KK 15-FA-SV	1500	500	2	390-1550	1100	690	1000	48	147	180	465	
				440-1640	1100	690	1000	48	147	180	465	
				540-1840	1100	690	1000	48	147	180	465	

S 16

Carton Clamps with Sideshift Valve

2 hydraulic functions



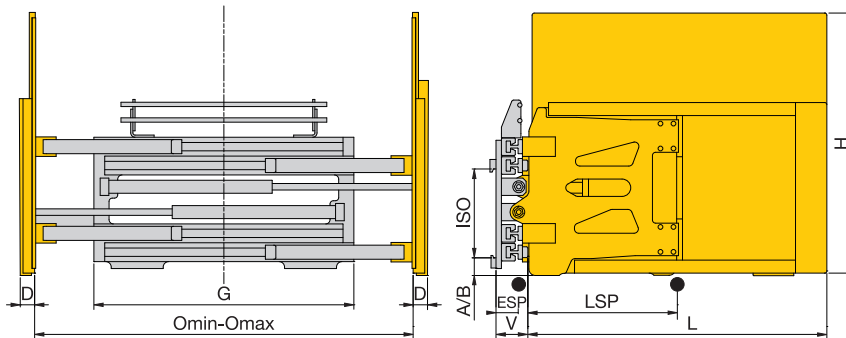
Both arms rigid · Aluminum pressure plates bolted on

Model	Load capacity	LC (LSP)	ISO	Omin-Omax	G	L	H	D	V	CoG (ESP)	Weight	Price
	kg	mm		mm	mm	mm	mm	mm	mm	mm	kg	
S 16 - KK 15-FA-SV	1500	500	2	390-1590	1150	690	1000	48	147	180	470	
				440-1700	1150	690	1000	48	147	180	470	
				540-1890	1150	690	1000	48	147	180	470	
S 16 - KK 15-FA-SV	1500	500	2	390-1650	1200	690	1000	48	147	180	475	
				440-1740	1200	690	1000	48	147	180	475	
				540-1940	1200	690	1000	48	147	180	475	
S 16 - KK 15-FA-SV	1500	500	2	390-1490	1050	1200	1000	48	147	310	555	
				440-1600	1050	1200	1000	48	147	310	555	
				540-1800	1050	1200	1000	48	147	310	555	
S 16 - KK 15-FA-SV	1500	500	2	390-1550	1100	1200	1000	48	147	310	560	
				440-1640	1100	1200	1000	48	147	310	560	
				540-1840	1100	1200	1000	48	147	310	560	
S 16 - KK 15-FA-SV	1500	500	2	390-1590	1150	1200	1000	48	147	305	565	
				440-1700	1150	1200	1000	48	147	305	565	
				540-1890	1150	1200	1000	48	147	305	565	
S 16 - KK 15-FA-SV	1500	500	2	390-1650	1200	1200	1000	48	147	305	570	
				440-1740	1200	1200	1000	48	147	305	570	
				540-1940	1200	1200	1000	48	147	305	570	

- Due to an increased tension towards the front of the arms the opening range between the tips is smaller.
- Surcharge for adjustable pressure relief valve incl. pressure gauge
- Further opening ranges on request.
- Further arm dimensions (L: 690 / 1,000 / 1,200 mm; H: 800 / 1,000 / 1,200 mm) on request.
- Available without sideshift valve
- Separate sideshift on request.
- For details on sideshift valve see page 9

Appliance Clamps with Sideshift Valve

2 hydraulic functions

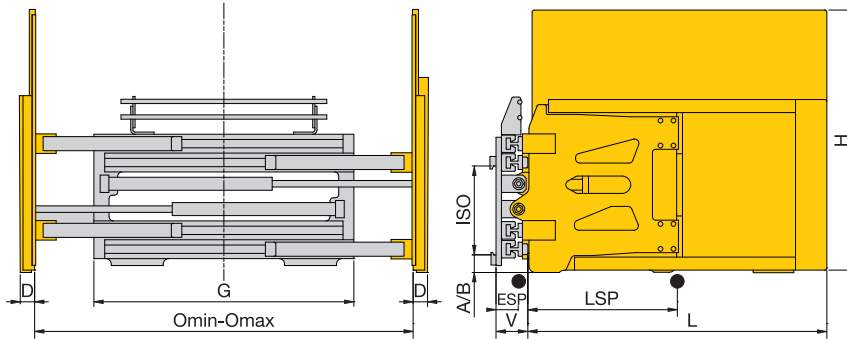


1 arm rigid · 1 arm single articulating

Model	Load capacity	LC (LSP)	ISO	Omin-Omax	G	L	H	D	V	CoG (ESP)	Weight	Price
	kg	mm		mm	mm	mm	mm	mm	mm	mm	kg	
S 16 - GK 08-FE-SV	800	600	2	400-1400	950	1200	1000	47/66	147	400	680	
				440-1500	950	1200	1000	47/66	147	400	680	
				460-1520	950	1200	1000	47/66	147	400	680	
S 16 - GK 08-FE-SV	800	600	2	400-1460	1000	1200	1000	47/66	147	395	685	
				440-1540	1000	1200	1000	47/66	147	395	685	
				500-1660	1000	1200	1000	47/66	147	395	685	
S 16 - GK 08-FE-SV	800	600	2	400-1500	1050	1200	1000	47/66	147	395	690	
				440-1600	1050	1200	1000	47/66	147	395	690	
				460-1620	1050	1200	1000	47/66	147	395	690	
S 16 - GK 15-FE-SV	1300	690	2	400-1460	1000	1380	1200	47/66	147	460	750	
				440-1540	1000	1380	1200	47/66	147	460	750	
				500-1660	1000	1380	1200	47/66	147	460	750	
S 16 - GK 15-FE-SV	1300	690	2	400-1500	1050	1380	1200	47/66	147	460	755	
				440-1600	1050	1380	1200	47/66	147	460	755	
				460-1620	1050	1380	1200	47/66	147	460	755	
				510-1740	1050	1380	1200	47/66	147	460	755	
				500-1760	1100	1380	1200	47/66	147	455	760	
S 16 - GK 15-FE-SV	1300	690	2	400-1560	1100	1380	1200	47/66	147	455	760	
				440-1640	1100	1380	1200	47/66	147	455	760	
				500-1760	1100	1380	1200	47/66	147	455	760	
S 16 - GK 15-FE-SV	1300	690	2	400-1630	1150	1380	1200	47/66	147	455	765	
				440-1700	1150	1380	1200	47/66	147	455	765	
				460-1740	1150	1380	1200	47/66	147	455	765	
S 16 - GK 15-FE-SV	1300	690	2	400-1680	1200	1380	1200	47/66	147	450	770	
				440-1740	1200	1380	1200	47/66	147	450	770	
				460-1760	1200	1380	1200	47/66	147	450	770	

Appliance Clamps with Sideshift Valve

2 hydraulic functions



1 arm rigid · 1 arm single articulating

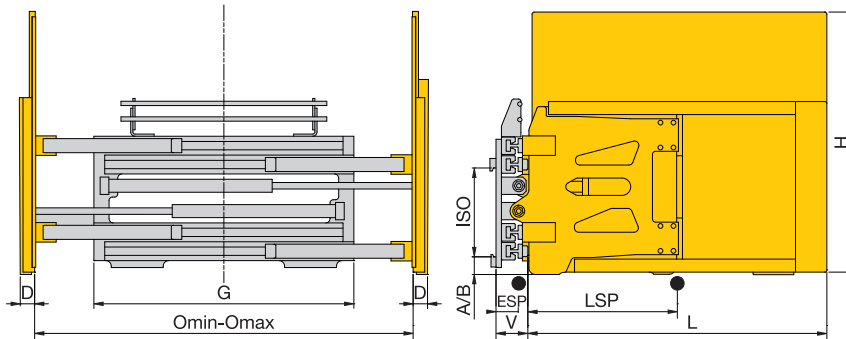
Model	Load capacity	LC (LSP)	ISO	Omin-Omax	G	L	H	D	V	CoG (ESP)	Weight	Price
	kg	mm		mm	mm	mm	mm	mm	mm	mm		
S 16 - GK 15-FE-SV	1300	690	2	500-2080	1400	1380	1200	47/66	147	405	870	
				580-2230	1400	1380	1200	47/66	147	405		
				650-2370	1400	1380	1200	47/66	147	405		
S 16 - GK 15-FE-SV	1300	690	2	520-2170	1450	1380	1200	47/66	147	400	880	
				580-2290	1450	1380	1200	47/66	147	400		
				650-2420	1450	1380	1200	47/66	147	400		
S 16 - GK 15-FE-SV	1300	690	2	500-2180	1500	1380	1200	47/66	147	400	885	
				580-2340	1500	1380	1200	47/66	147	400		
				650-2470	1500	1380	1200	47/66	147	400		
S 16 - GK 15 FE-SV	1300	690	2	500-2220	1550	1380	1200	47/66	147	395	895	
				580-2390	1550	1380	1200	47/66	147	395		
				650-2530	1550	1380	1200	47/66	147	395		

- Surcharge for adjustable pressure relief valve incl. pressure gauge
- Surcharge for multiple pressure relief valves see Accessories page 209
- Further opening ranges on request.
- Further arm dimensions (L: 1,200 / 1,380 mm; H: 1,000 / 1,200 mm) on request.
- Available without sideshift valve
- Separate sideshift on request.
- Details on sideshift valve, see page 9

S16

Appliance Clamps with Sideshift Valve

2 hydraulic functions

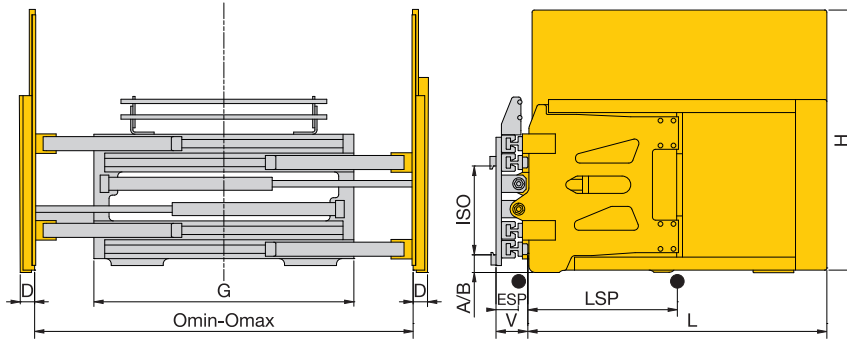


Both arms single articulating

Model	Load capacity	LC (LSP)	ISO	Omin-Omax	G	L	H	D	V	CoG (ESP)	Weight	Price
	kg	mm		mm	mm	mm	mm	mm	mm	mm	kg	
S 16 - GK 08-EE-SV	800	600	2	400-1400	950	1200	1000	66/66	147	390	660	
				440-1500	950	1200	1000	66/66	147	390	660	
				460-1520	950	1200	1000	66/66	147	390	660	
S 16 - GK 08-EE-SV	800	600	2	400-1460	1000	1200	1000	66/66	147	390	665	
				440-1540	1000	1200	1000	66/66	147	390	665	
				500-1660	1000	1200	1000	66/66	147	390	665	
S 16 - GK 08-EE-SV	800	600	2	400-1500	1050	1200	1000	66/66	147	385	670	
				440-1600	1050	1200	1000	66/66	147	385	670	
				460-1620	1050	1200	1000	66/66	147	385	670	
S 16 - GK 15-EE-SV	1300	690	2	400-1460	1000	1380	1200	66/66	147	460	740	
				440-1540	1000	1380	1200	66/66	147	460	740	
				500-1660	1000	1380	1200	66/66	147	460	740	
S 16 - GK 15-EE-SV	1300	690	2	400-1500	1050	1380	1200	66/66	147	460	745	
				440-1600	1050	1380	1200	66/66	147	460	745	
				460-1620	1050	1380	1200	66/66	147	460	745	
				510-1740	1050	1380	1200	66/66	147	460	745	
				400-1560	1100	1380	1200	66/66	147	455	750	
S 16 - GK 15-EE-SV	1300	690	2	440-1640	1100	1380	1200	66/66	147	455	750	
				500-1760	1100	1380	1200	66/66	147	455	750	
				400-1630	1150	1380	1200	66/66	147	455	755	
S 16 - GK 15-EE-SV	1300	690	2	440-1700	1150	1380	1200	66/66	147	455	755	
				460-1740	1150	1380	1200	66/66	147	455	755	
				400-1680	1200	1380	1200	66/66	147	450	760	
S 16 - GK 15-EE-SV	1300	690	2	440-1740	1200	1380	1200	66/66	147	450	760	
				460-1760	1200	1380	1200	66/66	147	450	760	

Appliance Clamps with Sideshift Valve

2 hydraulic functions



Both arms single articulating

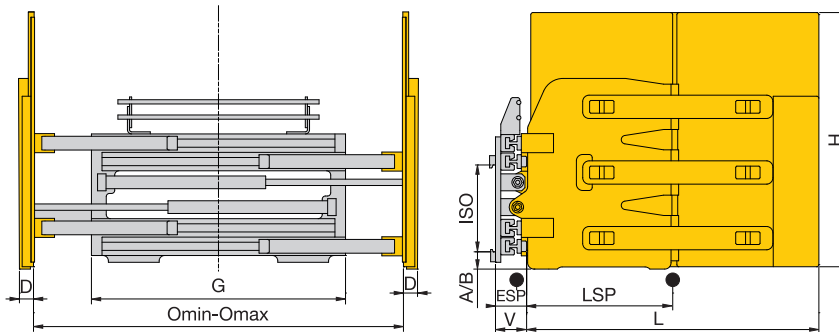
Model	Load capacity	LC (LSP)	ISO	Omin-Omax	G	L	H	D	V	CoG (ESP)	Weight	Price
	kg	mm		mm	mm	mm	mm	mm	mm	mm		
S 16 - GK 15-EE-SV	1300	690	2	500-2080	1400	1380	1200	66/66	147	405	860	
				580-2230	1400	1380	1200	66/66	147	405		
				650-2370	1400	1380	1200	66/66	147	405		
S 16 - GK 15-EE-SV	1300	690	2	520-2170	1450	1380	1200	66/66	147	400	870	
				580-2290	1450	1380	1200	66/66	147	400		
				650-2420	1450	1380	1200	66/66	147	400		
S 16 - GK 15-EE-SV	1300	690	2	500-2180	1500	1380	1200	66/66	147	400	875	
				580-2340	1500	1380	1200	66/66	147	400		
				650-2470	1500	1380	1200	66/66	147	400		
S 16 - GK 15-EE-SV	1300	690	2	500-2220	1550	1380	1200	66/66	147	395	885	
				580-2390	1550	1380	1200	66/66	147	395		
				650-2530	1550	1380	1200	66/66	147	395		

- Surcharge for adjustable pressure relief valve incl. pressure gauge
- Surcharge for multiple pressure relief valves see Accessories page 209
- Further opening ranges on request.
- Further arm dimensions (L: 1,200 / 1,380 mm; H: 1,000 / 1,200 mm) on request.
- Available without sideshift valve
- Separate sideshift on request.
- Details on sideshift valve, see page 9

S16

Appliance Clamps with Sideshift Valve

2 hydraulic functions



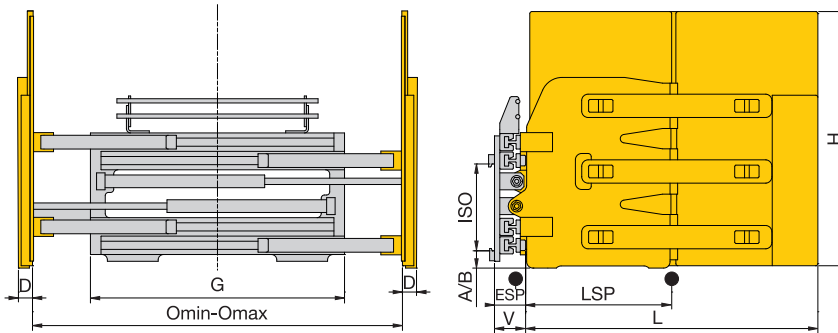
1 arm single articulating · 1 arm double articulating

Model	Load capacity	LC (LSP)	ISO	Omin-Omax	G	L	H	D	V	CoG (ESP)	Weight	Price
	kg	mm		mm	mm	mm	mm	mm	mm	mm	kg	
S 16 - GK 08-ED-SV	800	600	2	400-1400	950	1200	1000	66/64	147	395	680	
				440-1500	950	1200	1000	66/64	147	395	680	
				460-1520	950	1200	1000	66/64	147	395	680	
S 16 - GK 08-ED-SV	800	600	2	400-1460	1000	1200	1000	66/64	147	395	685	
				440-1540	1000	1200	1000	66/64	147	395	685	
				500-1660	1000	1200	1000	66/64	147	395	685	
S 16 - GK 08-ED-SV	800	600	2	400-1500	1050	1200	1000	66/64	147	390	690	
				440-1600	1050	1200	1000	66/64	147	390	690	
				460-1620	1050	1200	1000	66/64	147	390	690	
S 16 - GK 15-ED-SV	1300	690	2	400-1460	1000	1380	1200	66/64	147	465	760	
				440-1540	1000	1380	1200	66/64	147	465	760	
				500-1660	1000	1380	1200	66/64	147	465	760	
S 16 - GK 15-ED-SV	1300	690	2	400-1500	1050	1380	1200	66/64	147	460	765	
				440-1600	1050	1380	1200	66/64	147	460	765	
				460-1620	1050	1380	1200	66/64	147	460	765	
				510-1740	1050	1380	1200	66/64	147	460	765	
S 16 - GK 15-ED-SV	1300	690	2	400-1560	1100	1380	1200	66/64	147	460	770	
				440-1640	1100	1380	1200	66/64	147	460	770	
				500-1760	1100	1380	1200	66/64	147	460	770	
S 16 - GK 15-ED-SV	1300	690	2	400-1630	1150	1380	1200	66/64	147	455	775	
				440-1700	1150	1380	1200	66/64	147	455	775	
				460-1740	1150	1380	1200	66/64	147	455	775	
S 16 - GK 15-ED-SV	1300	690	2	400-1680	1200	1380	1200	66/64	147	455	780	
				440-1740	1200	1380	1200	66/64	147	455	780	
				460-1760	1200	1380	1200	66/64	147	455	780	

S 16

Appliance Clamps with Sideshift Valve

2 hydraulic functions



1 arm single articulating · 1 arm double articulating

Model	Load capacity	LC (LSP)	ISO	Omin-Omax	G	L	H	D	V	CoG (ESP)	Weight	Price
	kg	mm		mm	mm	mm	mm	mm	mm	mm	kg	
S 16 - GK 15-ED-SV	1300	690	2	500-2080	1400	1380	1200	66/64	147	410	880	
				580-2230	1400	1380	1200	66/64	147	410	880	
				650-2370	1400	1380	1200	66/64	147	410	880	
S 16 - GK 15-ED-SV	1300	690	2	520-2170	1450	1380	1200	66/64	147	405	890	
				580-2290	1450	1380	1200	66/64	147	405	890	
				650-2420	1450	1380	1200	66/64	147	405	890	
S 16 - GK 15-ED-SV	1300	690	2	500-2180	1500	1380	1200	66/64	147	405	895	
				580-2340	1500	1380	1200	66/64	147	405	895	
				650-2470	1500	1380	1200	66/64	147	405	895	
S 16 - GK 15-ED-SV	1300	690	2	500-2220	1550	1380	1200	66/64	147	400	905	
				580-2390	1550	1380	1200	66/64	147	400	905	
				650-2530	1550	1380	1200	66/64	147	400	905	

- Surcharge for adjustable pressure relief valve incl. pressure gauge
- Surcharge for multiple pressure relief valves see Accessories page 209
- Further opening ranges on request.
- Further arm dimensions (L: 1,200 / 1,380 mm; H: 1,000 / 1,200 mm) on request.
- Available without sideshift valve
- Separate sideshift on request.
- Details on sideshift valve, see page 9

S16

Carton Clamps S 16-KK



Appliance Clamps S 16-GK

