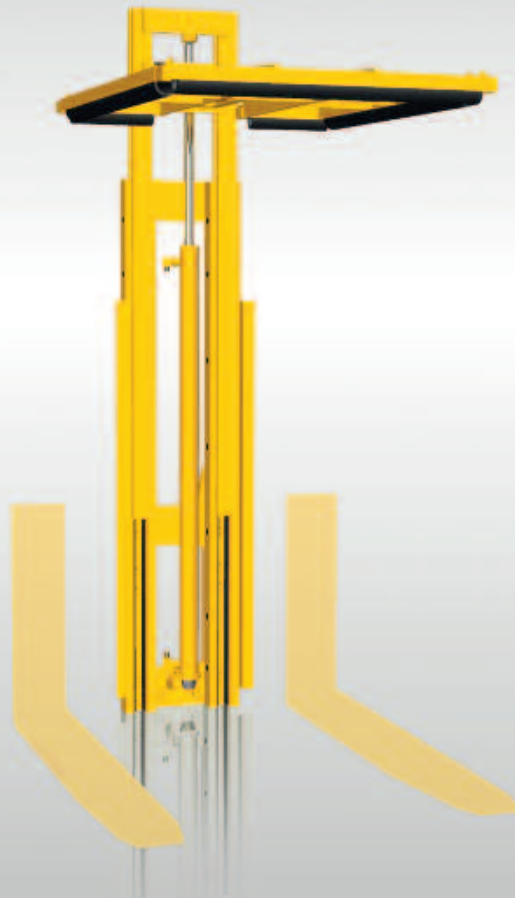


S19

LOAD STABILIZERS

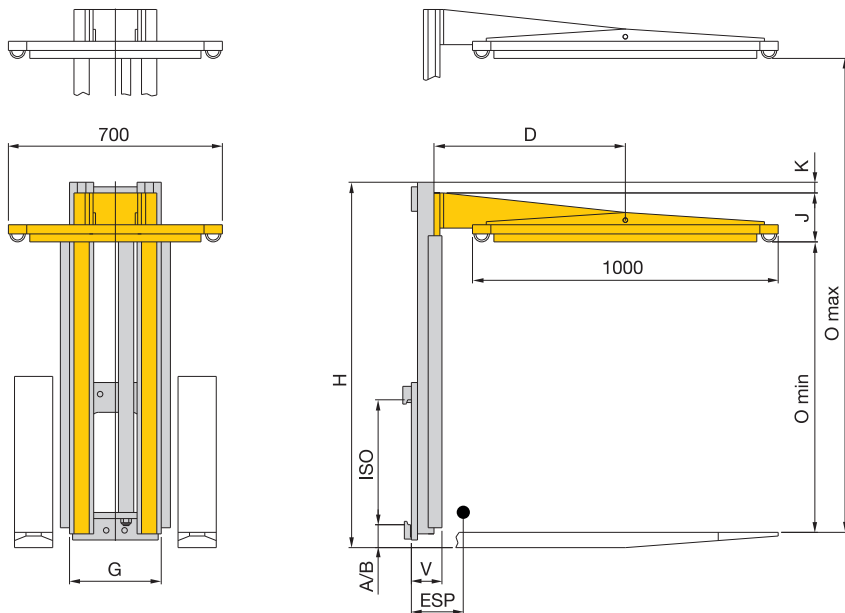
Load stabilizers are used to stabilize and secure the goods to be handled, such as cardboard packaging, wood and sheet metal stacks. The pressure frame is mounted in an oscillating manner, the contact surface is rubber coated.



S19

Load Stabilizers

1 hydraulic function



Oscillating pressure frame, contact surface with flexible rubber hose

Model	Clamping force	ISO	Omin-Omax	J	K	G	H	D	V	CoG (ESP)	Weight	Price	Surcharge per 100 mm larger frame
S 19 - L 15	4000	2/3	750-1450	165	110	300	1075	610	100	200	165		
S 19 - L 15	4000	2/3	950-1750	165	10	300	1175	610	100	195	175		
S 19 - L 15	4000	2/3	950-1950	165	210	300	1375	610	100	185	185		
S 19 - L 15	4000	2/3	1050-1950	165	10	300	1275	610	100	190	180		
S 19 - L 15	4000	2/3	1150-2150	165	10	300	1375	610	100	185	190		

- Surcharge for adjustable pressure relief valve
- Surcharge for pressure gauge
- Surcharge for cellular-rubber coating on request.
- Load stabilizers (telescopic) on request