

CRANE JIBS

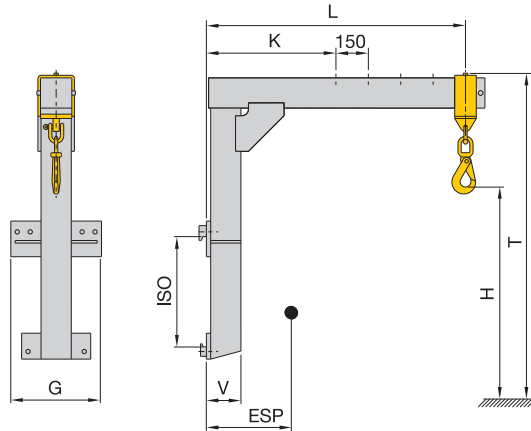
Crane jibs are designed for handling suspended loads. The telescopic version can be used for many different applications, even in locations with a limited amount of space.

In general, a crane jib is mounted directly onto the fork carriage; a version with QD hooks is available. Crane jibs with pockets to be slipped onto forks are quite popular. The telescopic version is also available with hydraulics.



Crane Jibs (Fixed)

ES



Model	Load capacity	LC (LSP)	L	H	T	ISO	K	G	V	CoG (ESP)	Weight	Add. weight per 100 mm jib length	Price	Surcharge per 100 mm add. jib length
	kg	mm	mm	mm	mm		mm	mm	mm	mm	kg	kg		
S 3 - KR 15	1500	500	1200	1000	1460	2	500	440	130	315	115	2,5		
S 3 - KR 25	2500	500	1200	1000	1565	2	500	440	160	355	155	4,0		
S 3 - KR 40	4000	500	1200	1000	1640	3	500	540	190	345	225	5,7		
S 3 - KR 48	5000	600	1200	1200	1870	3	600	600	210	350	255	6,4		
S 3 - KR 60	6000	600	1200	1200	1940	4	600	650	210	330	300	6,4		
S 3 - KR 80	8000	600	1200	1200	1970	4	600	700	230	345	330	7,2		
S 3 - KR 100	10000	600	1200	1200	2055	4	600	850	250	345	415	9,0		

- Surcharge for QD hooks for ISO 2
- Surcharge for QD hooks for ISO 3
- Surcharge for QD hooks for ISO 4

- Higher load capacities on request.
- Greater hook height (H) on request.
- Hook rotatable under load.

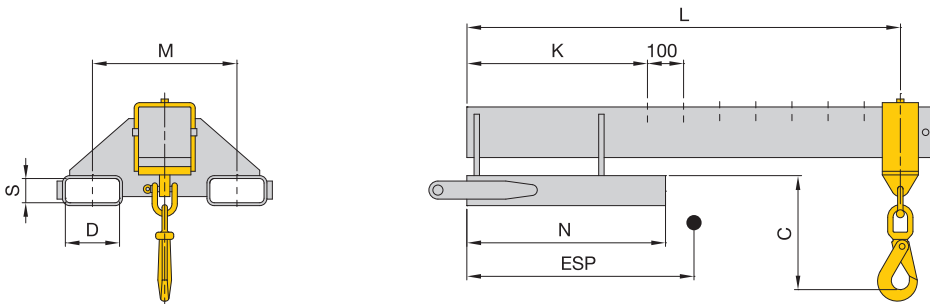
Standard values for residual load capacity of lift trucks**

Crane Jibs	S 3 -	KR 15	KR 15	KR 25	KR 25	KR 40	KR 40	KR 40	KR 48	KR 48	KR 48/60	KR 60	KR 80	KR 80	KR 100
Load capacity lift truck	kg	1000	1500	2000	2500	3000	3500	4000	4500	5000/500	5000	6000	7000	8000	10000
x*	mm	300	350	450	450	450	500	500	500	500	560	560	650	650	750
LC (LSP) = 500 mm	kg	865	1320	1740	2190	2515	3010	3440							
LC (LSP) = 600 mm	kg	775	1200	1590	2000	2305	2760	3165	3490	3945	4380	5270	6190	7070	8830
LC (LSP) = 800 mm	kg	650	1000	1360	1710	1975	2380	2730	3015	3400	3800	4570	5420	6200	7820
LC (LSP) = 1000 mm	kg	555	865	1190	1490	1730	2090	2400	2650	2990	3360	4040	4820	5520	7000
LC (LSP) = 1200 mm	kg	485	760	1050	1320	1540	1860	2135	2370	2670	3010	3610	4340	4960	6350

** The load capacity applies to lifting heights up to 3300 mm; specifications for greater lifting heights on request.

* Assumed dimensions

Crane Jibs (Slip-On Type)



Model	Load capacity	LC (LSP)	L	C	K	N	M	Max. Fork cross section D* x S*		CoG (ESP)	Weight	Add. weight per 100 mm add. jib length	Price	Surcharge per 100 mm add. jib length
	kg	mm	mm	mm	mm	mm	mm	mm	mm	mm	kg	kg		
S 3 - KRSCHE 15	1500	500	1200	250	500	800	445	125	50	510	110	2,5		
S 3 - KRSCHE 25	2500	500	1200	345	500	800	445	125	50	550	130	4,0		
S 3 - KRSCHE 40	4000	500	1200	380	500	800	470	150	70	555	170	5,7		
S 3 - KRSCHE 48	5000	600	1200	410	600	800	570	150	70	555	190	6,4		
S 3 - KRSCHE 60	6000	600	1200	480	600	800	570	150	70	570	195	6,4		
S 3 - KRSCHE 80	8000	600	1200	480	600	800	570	200	80	530	290	7,2		

- ***Important!** Please indicate fork cross section (D x S) when ordering.
- Greater hook height on request.
- Hook rotatable under load.

Standard values for residual load capacity of lift trucks**

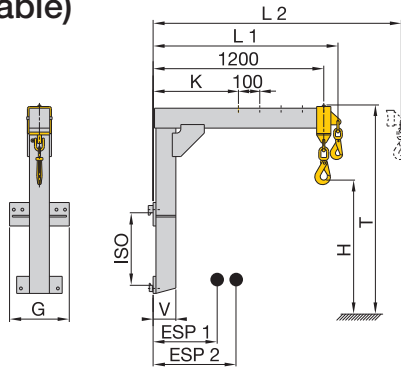
Crane Jibs	S 3 -	KRSCHE 15	KRSCHE 15	KRSCHE 25	KRSCHE 25	KRSCHE 40	KRSCHE 40	KRSCHE 40	KRSCHE 48	KRSCHE 48	KRSCHE 48/60	KRSCHE 60	KRSCHE 80	KRSCHE 80
Load capacity lift truck	kg	1000	1500	2000	2500	3000	3500	4000	4500	5000/500	5000	6000	7000	8000
X*	mm	300	350	450	450	450	500	500	500	500	560	560	650	650
LC (LSP) = 500 mm	kg	890	1390	1865	2365	2820	3325	3825						
LC (LSP) = 600 mm	kg	790	1245	1690	2140	2560	3020	3475	3910	4365	4810	5810	6730	7730
LC (LSP) = 800 mm	kg	650	1030	1420	1800	2150	2560	2940	3310	3700	4110	4960	5800	6665
LC (LSP) = 1000 mm	kg	550	880	1225	1550	1850	2220	2550	2870	3200	3580	4320	5100	5855
LC (LSP) = 1200 mm	kg	480	765	1075	1365	1630	1960	2250	2530	2825	3170	3830	4550	5220

** The load capacity applies to lifting heights up to 3300 mm; specifications for greater lifting heights on request.

* Assumed dimensions

Crane Jibs (Telescopic)

S3



Jib length 1300 - 2200 mm (L1 - L2)

Model	Load capacity	LC (LSP)	H	T	ISO	K	G	V	CoG 1 (ESP1)	CoG 2 (ESP2)	Weight	Price	Surcharge manually telescopic jib	Surcharge per 100 mm add. jib length	
														man.	hydr.
	kg	mm	mm	mm		mm	mm	mm	mm	mm	kg				
S3 - KRT 15	1500	500	1000	1460	2	500	440	130	340	560	140				
S3 - KRT 25	2500	500	1000	1565	2	500	440	160	365	580	190				
S3 - KRT 40	4000	500	1000	1640	3	500	540	190	355	535	270				
S3 - KRT 48	5000	600	1200	1870	3	600	600	210	375	575	315				
S3 - KRT 60	6000	600	1200	1940	4	600	650	210	350	540	360				
S3 - KRT 80	8000	600	1200	1970	4	600	700	230	355	530	385				
S3 - KRT 100	10000	600	1200	2055	4	600	850	250	370	555	495				

- Surcharge for QD hooks for ISO 2
- Surcharge for QD hooks for ISO 3
- Surcharge for QD hooks for ISO 4
- Higher load capacities on request.

- Greater hook height (H) on request.
- Hooks rotatable under load.
- Telescopic under load on request.

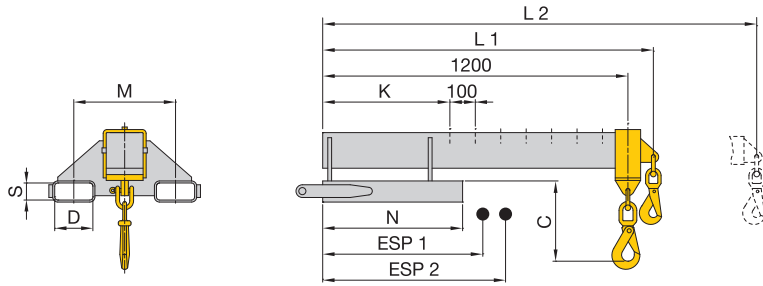
Standard values for residual load capacity of lift trucks**

Crane Jibs	S 3 -	KRT 15	KRT 15	KRT 25	KRT 25	KRT 40	KRT 40	KRT 40	KRT 48	KRT 48	KRT 48/60	KRT 60	KRT 80	KRT 80	KRT 100
Load capacity lift truck	kg	1000	1500	2000	2500	3000	3500	4000	4500	5000/5000	5000	6000	7000	8000	10000
X*	mm	300	350	450	450	450	500	500	500	500	560	560	650	650	750
LC (LSP) = 500 mm	kg	845	1300	1715	2160	2480	2970	3410							
LC (LSP) = 600 mm	kg	760	1175	1570	1975	2275	2730	3135	3450	3900	4340	5220	6150	7030	8770
LC (LSP) = 900 mm	kg	580	915	1250	1570	1820	2200	2525	2785	3145	3530	4250	5070	5800	7330
LC (LSP) = 1200 mm	kg	475	750	1035	1305	1515	1840	2115	2340	2635	2980	3580	4310	4940	6300
LC (LSP) = 1300 mm	kg	445	705	980	1235	1435	1750	2005	2220	2500	2830	3410	4110	4700	6020
LC (LSP) = 1600 mm	kg	365	585	825	1045	1220	1490	1715	1900	2140	2430	2935	3570	4100	5270
LC (LSP) = 1900 mm	kg	320	510	725	920	1070	1315	1510	1675	1890	2150	2600	3180	3640	4720
LC (LSP) = 2200 mm	kg	280	450	650	820	960	1180	1350	1500	1690	1930	2330	2860	3270	4260

** The load capacity applies to lifting heights up to 3300 mm; specifications for greater lifting heights on request.

* Assumed dimensions

Crane Jibs (Slip-On, Telescopic Type)



Jib length 1300 - 2200 mm (L1 - L2)

Model	Load capacity	LC (LSP)	C	K	N	M	Maximum fork cross section D* x S*		CoG 1 (ESP 1)	CoG 2 (ESP 2)	Weight	Price	Surcharge per 100 mm add. jib length
	kg	mm	mm	mm	mm	mm	mm	mm	mm	mm	kg		
S 3 - KRSCHT 15	1500	500	250	500	800	445	125	50	500	725	135		
S 3 - KRSCHT 25	2500	500	345	500	800	445	125	50	575	770	165		
S 3 - KRSCHT 40	4000	500	380	500	800	470	150	70	530	755	215		
S 3 - KRSCHT 48	5000	600	410	600	800	570	150	70	530	790	250		
S 3 - KRSCHT 60	6000	600	480	600	800	570	150	70	535	805	255		
S 3 - KRSCHT 80	8000	600	480	600	800	570	200	80	505	710	345		

- ***Important!** Please indicate fork cross section (D x S) when ordering.
- Greater hook height on request.
- Hooks rotatable under load.

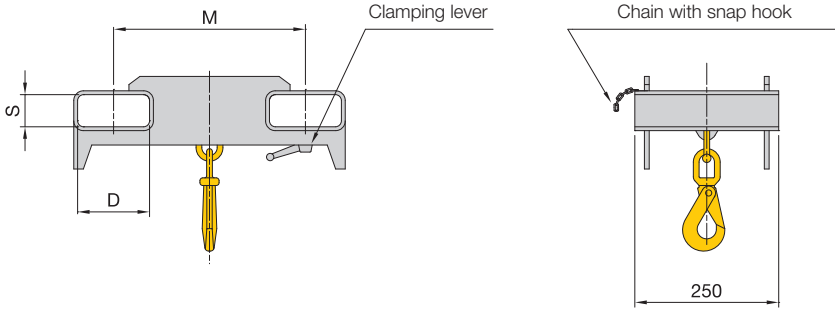
Standard values for residual load capacity of lift trucks**

Crane Jibs	S 3 -	KRSCHT 15	KRSCHT 15	KRSCHT 25	KRSCHT 25	KRSCHT 40	KRSCHT 40	KRSCHT 40	KRSCHT 48	KRSCHT 48	KRSCHT 48/60	KRSCHT 60	KRSCHT 80	KRSCHT 80
Load capacity lift truck	kg	1000	1500	2000	2500	3000	3500	4000	4500	5000/500	5000	6000	7000	8000
X*	mm	300	350	450	450	450	500	500	500	500	560	560	650	650
LC (LSP) = 500 mm	kg	865	1365	1825	2325	2780	3280	3780						
LC (LSP) = 600 mm	kg	770	1225	1650	2105	2515	2985	3440	3860	4315	4760	5760	6685	7685
LC (LSP) = 900 mm	kg	580	930	1285	1635	1960	2345	2700	3030	3390	3785	4580	5390	6200
LC (LSP) = 1200 mm	kg	465	750	1050	1340	1600	1930	2225	2500	2790	3140	3800	4520	5190
LC (LSP) = 1300 mm	kg	435	705	990	1265	1510	1825	2100	2360	2640	2970	3600	4285	4930
LC (LSP) = 1600 mm	kg	350	580	830	1060	1265	1540	1780	1990	2230	2530	3065	3680	4240
LC (LSP) = 1900 mm	kg	305	505	725	925	1105	1350	1560	1745	1950	2220	2690	3250	3740
LC (LSP) = 2200 mm	kg	270	445	645	820	980	1200	1390	1550	1735	1980	2400	2910	3350

** The load capacity applies to lifting heights up to 3300 mm; specifications for greater lifting heights on request.

* Assumed dimensions

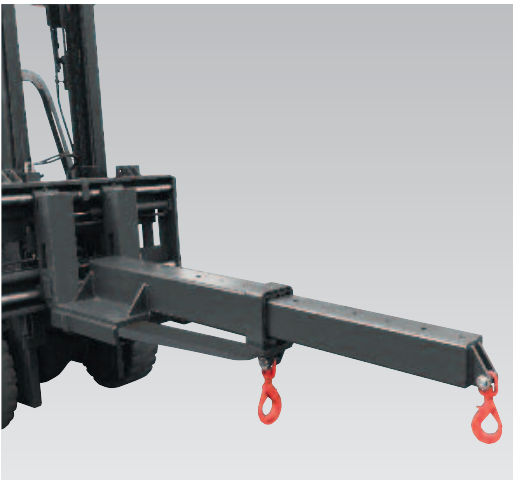
Crane Hooks



Model	Load capacity	M	Maximum fork cross section D* x S*		Weight	Price
	kg		mm	mm		
S 3 - KT 15	1500	445	125	50	25	
S 3 - KT 30	3000	470	150	70	40	
S 3 - KT 50	5000	470	150	70	50	
S 3 - KT 80	8000	470	200	80	70	

- ***Important!** Please indicate fork cross section (D x S) when ordering.
- Consider load capacity or residual load capacity of the forklift in case of greater load center!
- Hook rotatable under load.

Crane Jib, Oscillating (on request)



Crane jib slip-on type, telescopic



Crane jib telescopic