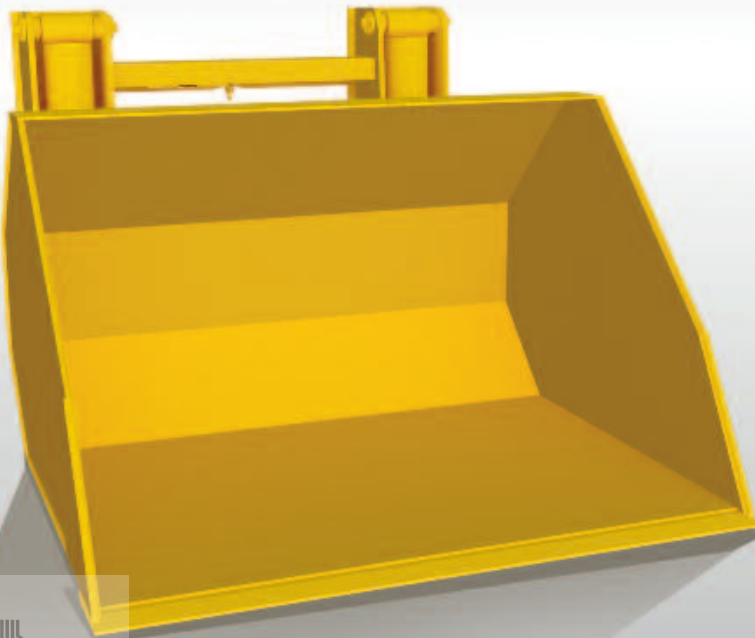


BULK BUCKETS

Bulk buckets are used for handling and transporting bulk goods such as sand, grain, fertilizer, potatoes or similar goods. The goods may not be picked up below floor level.

The bucket should always be wider than the lift truck in order to ensure smooth operation.

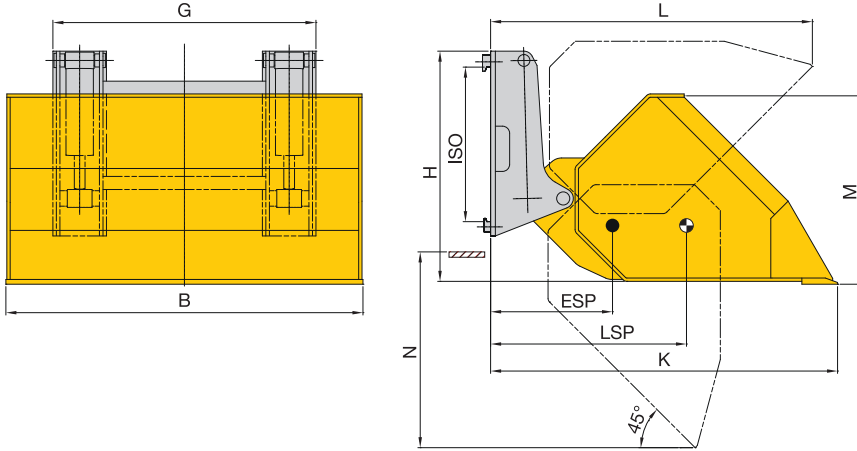
Bulk buckets are mounted directly onto the fork carriage; a version with QD hooks is available.



Bulk Buckets

1 hydraulic function

S4

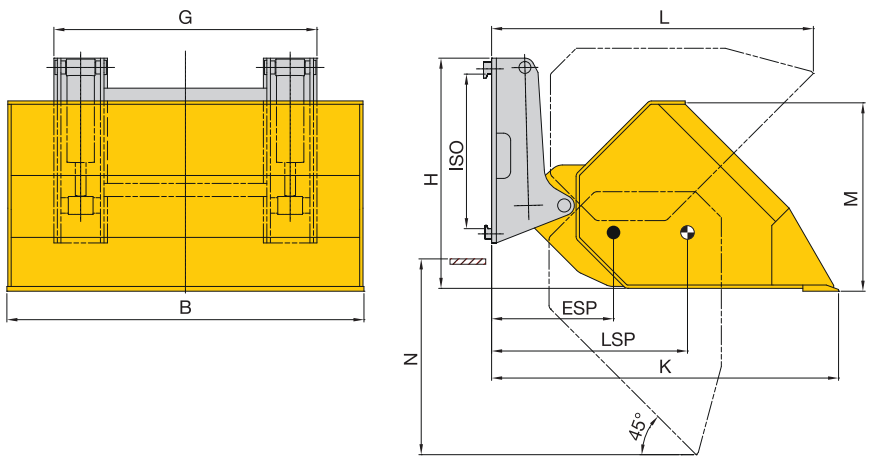


2-cylinder design (bulk weight max. 2500 kg/cbm)

Model	Volume heaped filling	Volume level filling	ISO	B	G	K	L	M	N*	H	LC (LSP)	CoG (ESP)	Weight kg	Price
	cbm	cbm		mm	mm	mm	mm	mm	mm	mm	mm	mm		
S 4 - SCH 0,8	0,80	0,65	2/3	1000	905	1625	1495	875	1010	980	900	530	490	
	0,80	0,65	2/3	1200	1105	1460	1375	795	895	980	820	475	485	
	0,80	0,65	2/3	1300	1105	1460	1375	795	895	980	820	485	500	
	0,80	0,65	2/3	1600	1105	1310	1270	720	790	980	755	450	495	
S 4 - SCH 1,0	1,00	0,80	2/3	1200	1105	1625	1495	875	1015	980	900	540	525	
	1,00	0,80	2/3	1300	1105	1570	1455	845	975	980	870	525	525	
	1,00	0,80	2/3	1600	1105	1460	1375	795	895	980	820	505	535	
	1,00	0,80	2/3	1900	1105	1310	1270	715	790	980	750	470	525	
S 4 - SCH 1,2	1,20	1,00	2/3	1300	1105	1700	1550	915	1070	980	935	580	555	
	1,20	1,00	2/3	1500	1105	1625	1495	875	1015	980	900	565	565	
	1,20	1,00	2/3	1800	1105	1460	1375	790	895	980	820	520	555	
S 4 - SCH 1,5	1,50	1,20	2/3	1300	1105	1900	1690	1015	1215	980	1030	660	610	
	1,50	1,20	2/3	1500	1105	1765	1595	945	1115	980	965	620	600	
	1,50	1,20	2/3	1600	1105	1700	1550	915	1070	980	935	605	600	
	1,50	1,20	2/3	1800	1105	1625	1495	875	1015	980	900	585	605	

Specific weights of bulk goods (kg/cbm)

Sand, gravel (wet)	2000	Concrete.....	2200
Cement.....	1800	Fertilizer	1200
Grain, legumes.....	800	Potatoes, turnips	750
Bark mulch	400		



2-cylinder design (bulk weight max. 2500 kg/cbm)

Model	Volume heaped filling	Volume level filling	ISO	B	G	K	L	M	N*	H	LC (LSP)	CoG (ESP)	Weight	Price
	cbm	cbm		mm	mm	mm	mm	mm	mm	mm	mm	mm	kg	
S 4 - SCH 1,6	1,60	1,30	2/3	1500	1105	1830	1640	980	1235	980	995	645	620	
	1,60	1,30	2/3	1600	1105	1765	1590	945	1115	980	965	630	615	
	1,60	1,30	2/3	1800	1105	1700	1550	915	1070	980	935	615	625	
S 4 - SCH 1,8	1,80	1,45	2/3	1500	1105	1900	1690	1015	1200	980	1030	675	640	
	1,80	1,45	2/3	1800	1105	1765	1595	945	1115	980	965	630	640	
	1,80	1,45	2/3	2000	1105	1700	1550	915	1070	980	935	620	650	
S 4 - SCH 2,0	2,00	1,60	3/4	1500	1105	2005	1760	1065	1280	980	1080	710	665	
	2,00	1,60	3/4	1800	1105	1830	1640	980	1160	980	995	660	660	
	2,00	1,60	3/4	1900	1105	1830	1640	980	1160	980	995	665	675	
	2,00	1,60	3/4	2000	1105	1765	1595	980	1115	980	965	645	670	
S 4 - SCH 2,2	2,20	1,75	3/4	1800	1105	1905	1960	1015	1110	980	1030	690	680	
	2,20	1,75	3/4	2000	1105	1830	1640	980	1160	980	995	670	690	
	2,20	1,75	3/4	2200	1105	1765	1590	945	1190	980	940	660	695	
S 4 - SCH 2,5	2,50	2,00	3/4	1900	1225	2005	1760	1065	1235	980	1080	680	865	
	2,50	2,00	3/4	2000	1225	2000	1760	1065	1235	980	1080	690	880	
	2,50	2,00	3/4	2200	1225	1900	1690	1015	1170	980	1030	660	875	
S 4 - SCH 3,0	3,00	2,40	3/4	2200	1225	2040	1785	1080	1260	980	1095	715	925	
	3,00	2,40	3/4	2500	1225	1900	1690	1015	1170	980	1030	680	920	

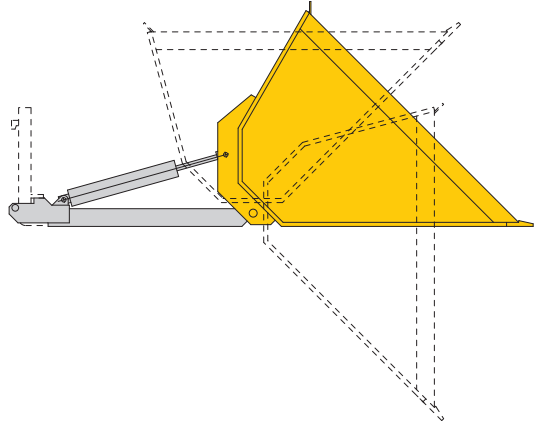
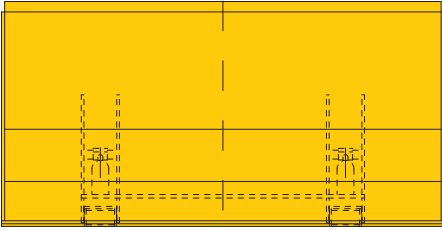
- Surcharge for QD hooks for ISO 2
- Surcharge for QD hooks for ISO 3
- Surcharge for QD hooks for ISO 4
- Price for reinforced design on request.

* Dimension N applies to mounting A, for mounting B the dimension is reduced correspondingly.

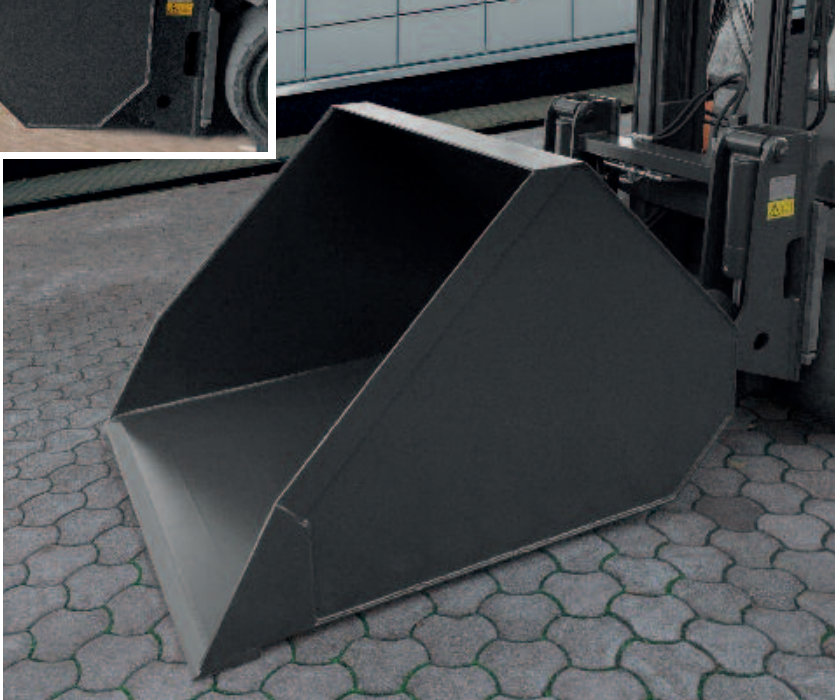
Bulk Bucket, Slip-On Type

1 hydraulic function

S4



The slip-on type is intended for occasional use with lightweight goods. Please indicate fork dimensions and application for inquiries.



Bulk bucket for agricultural use